

EDA系列 EDA Series



高效率



小体积



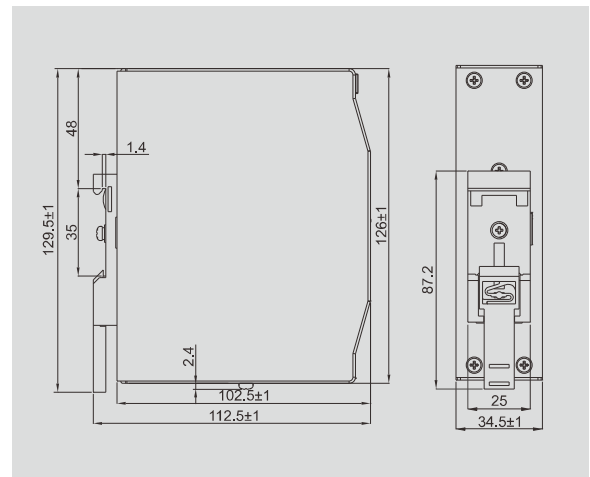
过压保护



过载保护



短路保护



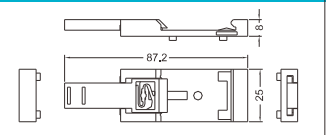
产品特性

全范围AC输入
效率可达89%
通电指示灯
自然风冷
过载 / 过压 / 短路保护
3年质保

Product features

Universal AC input / full range
High efficiency up to 89%
Power on indication
Air cooling
Protections: Overload / Over voltage / Short circuit
3 years warranty

导轨附件 (塑胶)
Din-rail accessories (plastic)



技术特性

输入电压 90~264Vac, 127~370Vdc
输入频率 47~63Hz
冲击电流 35A@230Vac 满载冷态
保持时间 ≥20ms@230Vac 满载
过载保护 110%~150%
恒流限制, 自动恢复
过压保护 120%~150% Vo
运行温度 -25℃~70℃
安全标准 EN60950-1, UL508
EMC标准 EN55032 Class B
EN55024
EN61000-3-2,3
绝缘标准 I/P-O/P: 3kVac, 1min
I/P-FG: 1.5kVac, 1min
O/P-FG: 0.5kVac, 1min
重量 0.31kg/pcs

Specifications

Input voltage 90~264Vac, 127~370Vdc
Input frequency 47~63Hz
Inrush current 35A@230Vac full load cold start
Hold up time ≥20ms@230Vac full load
Overload protection 110%~150%
constant current limit, auto-recovery
Over voltage protection 120%~150% Vo
Operating temperature -25℃~70℃
Safety standard EN60950-1, UL508
EMC standard EN55032 Class B
EN55024
EN61000-3-2,3
Withstand voltage I/P-O/P: 3kVac, 1min
I/P-FG: 1.5kVac, 1min
O/P-FG: 0.5kVac, 1min
Weight 0.31kg/pcs

P/N 产品型号	Output 输出	R & N 纹波 & 噪声	Effi. 效率	Load Regulation 负载调整率	DC Adjustment Range DC可调范围
EDA-45-12	12V, 4A	100mV	87%	± 1%	12V~14V
EDA-45-24	24V, 2A	100mV	88.5%	± 1%	24V~28V
EDA-45-48	48V, 1A	150mV	89%	± 1%	48V~55V

导轨开关电源 DIN-RAIL POWER SUPPLY