

# EDA系列 EDA Series



高效率



小体积



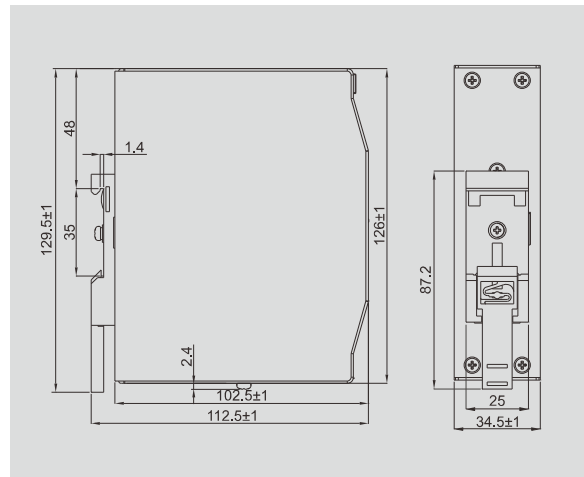
过压保护



过载保护



短路保护



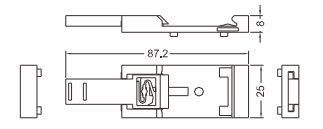
## 产品特性

- 全范围AC输入
- 效率可达90%
- 通电指示灯
- 自然风冷
- 过载 / 过压 / 短路保护
- 150%峰值功率能力
- 3年质保

## Product features

- Universal AC input / full range
- High efficiency up to 90%
- Power on indication
- Air cooling
- Protections: Overload / Over voltage / Short circuit
- 150% peak load capability
- 3 years warranty

导轨附件 (塑胶)  
Din-rail accessories (plastic)



## 技术特性

- 输入电压 90~264Vac, 127~370Vdc
- 输入频率 47~63Hz
- 冲击电流 35A@230Vac 满载冷态
- 保持时间 ≥20ms@230Vac 满载
- 过载保护 110%~150%  
恒流限制, 自动恢复
- 过压保护 120%~150% Vo
- 运行温度 -25℃~70℃
- 安全标准 EN60950-1, UL508
- EMC标准 EN55032 Class B  
EN55024  
EN61000-3-2,3
- 绝缘标准 I/P-O/P: 3kVac, 1min  
I/P-FG: 1.5kVac, 1min  
O/P-FG: 0.5kVac, 1min
- 重量 0.36kg/pcs

## Specifications

- Input voltage 90~264Vac, 127~370Vdc
- Input frequency 47~63Hz
- Inrush current 35A@230Vac full load cold start
- Hold up time ≥20ms@230Vac full load
- Overload protection 110%~150%  
constant current limit, auto-recovery
- Over voltage protection 120%~150% Vo
- Operating temperature -25℃~70℃
- Safety standard EN60950-1, UL508
- EMC standard EN55032 Class B  
EN55024  
EN61000-3-2,3
- Withstand voltage I/P-O/P: 3kVac, 1min  
I/P-FG: 1.5kVac, 1min  
O/P-FG: 0.5kVac, 1min
- Weight 0.36kg/pcs

P/N 产品型号	Output 输出	R & N 纹波 & 噪声	Effi. 效率	Load Regulation 负载调整率	DC Adjustment Range DC可调范围
EDA-75-12	12V, 6.3A	100mV	88%	± 1%	12V~14V
EDA-75-24	24V, 3.13A	100mV	89.5%	± 1%	24V~28V
EDA-75-48	48V, 1.6A	150mV	90%	± 1%	48V~55V