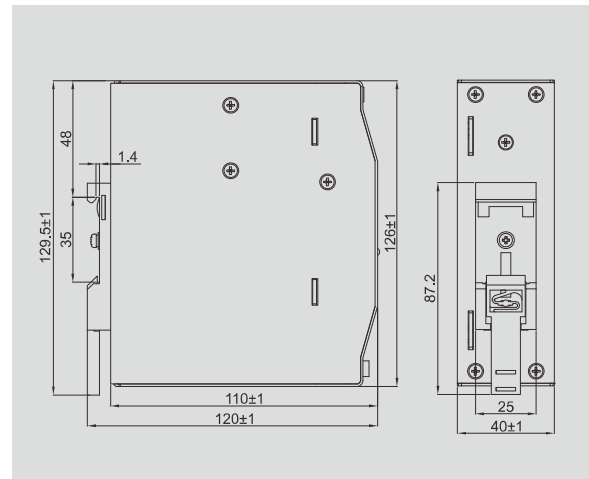


EDP系列 EDP Series



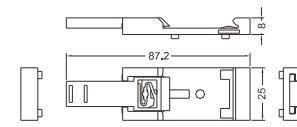
产品特性

全范围AC输入
经济型设计
效率可达88%
短路 / 过载 / 过压保护
自然风冷
通过CE、CB、TUV认证
3年质保

Product features

Universal AC input / full range
Economical design
High efficiency up to 88%
Protections: Short circuit / Overload / Over voltage
Air cooling
CE, CB, TUV approved
3 years warranty

导轨附件 (塑胶)
Din-rail accessories (plastic)



技术特性

输入电压 90~264Vac, 127~370Vdc
输入频率 47~63Hz
冲击电流 40A@230Vac 满载冷态
保持时间 ≥20ms@230Vac 满载
运行温度 -20℃~70℃
防护等级 IP20
过压保护 120%~150% Vo
过流保护 110%~150% Io
安全标准 EN60950-1
EMC标准 EN55032 Class B
EN55024
EN61000-3-2,3
绝缘标准 I/P-O/P: 1.5kVac 1min
I/P-FG: 1.5kVac 1min
O/P-FG: 0.5kVac 1min
重量 0.54kg/pcs

Specifications

Input voltage 90~264Vac, 127~370Vdc
Input frequency 47~63Hz
Inrush current 40A@230Vac, full load cold start
Hold-up time ≥20ms@230Vac full load
Operating temperature -20℃~70℃
Ingress protection IP20
Over-voltage protection 120%~150% Vo
Over-current protection 110%~150% Io
Safety standard EN60950-1
EMC standard EN55032 Class B
EN55024
EN61000-3-2,3
Withstand voltage I/P-O/P: 1.5kVac 1min
I/P-FG: 1.5kVac 1min
O/P-FG: 0.5kVac 1min
Weight 0.54kg/pcs

P/N 产品型号	Output 输出	R & N 纹波 & 噪声	Effi. 效率	Load Regulation 负载调整率	DC Adjustment Range DC可调范围
EDP-120-12	12V, 8.5A	120mV	84%	± 2%	12V~14V
EDP-120-24	24V, 5A	150mV	86%	± 1%	24V~28V
EDP-120-48	48V, 2.5A	240mV	88%	± 0.5%	48V~55V