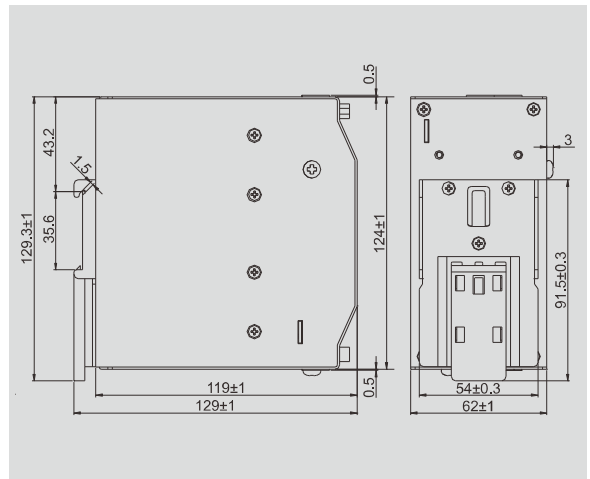


EDP系列 EDP Series



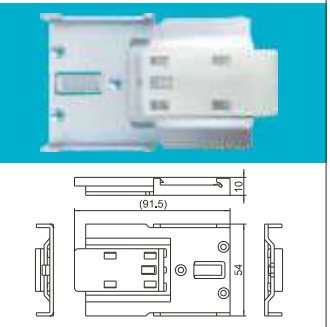
产品特性

- 全范围AC输入
- PF \geq 0.96@115Vac, \geq 0.95@230Vac
- 经济型设计
- 效率可达92%
- 短路 / 过载 / 过压 / 过温保护
- 自然风冷
- 通过CE、CB、TUV认证
- 3年质保

Product features

- Universal AC input / full range
- PF \geq 0.96@115Vac, \geq 0.95@230Vac
- Economical design
- High efficiency up to 92%
- Protections: Short circuit / Overload / Over voltage / Over temperature
- Air cooling
- CE, CB, TUV approved
- 3 years warranty

导轨附件 (金属)
Din-rail accessories (metal)



技术特性

- 输入电压 90~264Vac, 127~370Vdc
- 输入频率 47~63Hz
- 冲击电流 35A@230Vac 满载冷态
- 保持时间 \geq 20ms@230Vac 满载
- 运行温度 $-25^{\circ}\text{C}\sim 70^{\circ}\text{C}$
- 防护等级 IP20
- 过压保护 120%~150% Vo
- 过流保护 110%~150% Io
- 安全标准 EN60950-1
- EMC标准 EN55032 Class B
EN55024
EN61000-3-2,3
- 绝缘标准 I/P-O/P: 3kVac 1min
I/P-FG: 1.5kVac 1min
O/P-FG: 0.5kVac 1min
- 重量 0.81kg/pcs

Specifications

- Input voltage 90~264Vac, 127~370Vdc
- Input frequency 47~63Hz
- Inrush current 35A@230Vac, full load cold start
- Hold-up time \geq 20ms@230Vac full load
- Operating temperature $-25^{\circ}\text{C}\sim 70^{\circ}\text{C}$
- Ingress protection IP20
- Over-voltage protection 120%~150% Vo
- Over-current protection 110%~150% Io
- Safety standard EN60950-1
- EMC standard EN55032 Class B
EN55024
EN61000-3-2,3
- Withstand voltage I/P-O/P: 3kVac 1min
I/P-FG: 1.5kVac 1min
O/P-FG: 0.5kVac 1min
- Weight 0.81kg/pcs

P/N 产品型号	Output 输出	R & N 纹波 & 噪声	Effi. 效率	Load Regulation 负载调整率	DC Adjustment Range DC可调范围
EDP-240-24	24V, 10A	120mV	91%	$\pm 1\%$	24V~28V
EDP-240-48	48V, 5A	150mV	92%	$\pm 1\%$	48V~53V