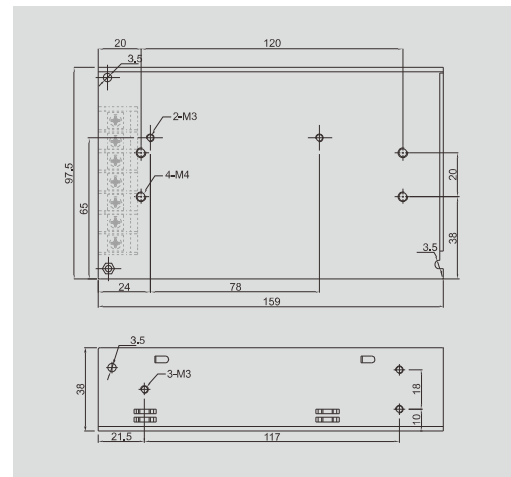


EPR系列 EPR Series



产品特性

AC输入
 通电指示灯
 经济型设计
 过载 / 过压 / 短路保护
 高可靠性: 105°C长寿命电容, 可耐受300Vac
 输入电压5秒
 2年质保

Product features

AC input
 Power on indication
 Economical design
 Protections: Overload / Over voltage / Short circuit
 High reliability: 105°C capacitor, withstand 300Vac
 surge input for 5s
 2 years warranty

技术特性

输入电压 90~132Vac, 180~264Vac,
 手动开关转换
 输入频率 47~63Hz
 冲击电流 40A@230Vac
 保持时间 >20ms
 过载保护 110%~150%
 过压保护 115%~145% Vo
 运行温度 -20°C~60°C
 安全标准 EN60950
 EMC标准 EN55032 Class B
 绝缘标准 I/P-O/P: 1.5kVac, 1min
 I/P-FG: 1.5kVac, 1min
 O/P-FG: 0.5kVac, 1min
 重量 0.51kg/pcs

Specifications

Input voltage 90~132Vac, 180~264Vac,
 selectable by switch
 Input frequency 47~63Hz
 Inrush current 40A@230Vac
 Hold up time >20ms
 Overload protection 110%~150%
 Over voltage protection 115%~145% Vo
 Operating temperature -20°C~60°C
 Safety standard EN60950
 EMC standard EN55032 Class B
 Withstand voltage I/P-O/P: 1.5kVac, 1min
 I/P-FG: 1.5kVac, 1min
 O/P-FG: 0.5kVac, 1min
 Weight 0.51kg/pcs

P/N 产品型号	Output 输出	R & N 纹波 & 噪声	Effi. 效率	Load Regulation 负载调整率	DC adjustment range DC可调范围
EPR-100C-12	12V, 8.5A	100mV	82%	± 1%	± 10%
EPR-100C-24	24V, 4.5A	100mV	84%	± 1%	± 10%
EPR-100C-48	48V, 2.1A	200mV	86%	± 0.5%	± 10%

另有高可靠型EPR-H系列电源可选, 具备以下特点: 耐受380Vac高压输入2H不坏; 增加三防涂层及端子盖等处理; 低待机功耗。
 Another EPR-H series selectable, with high reliability, low stand-by power consumption, conformal coated, connector covered, and withstands 380Vac input running for 2 hours.