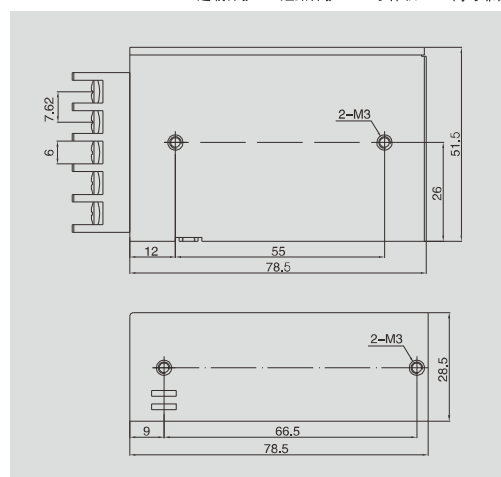
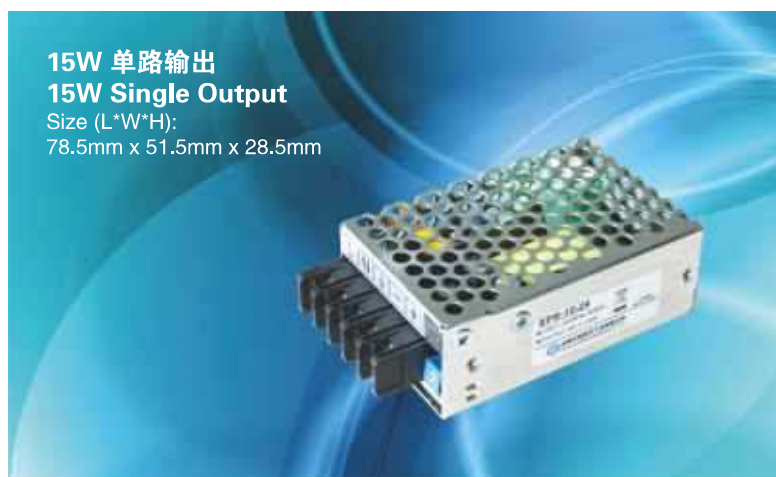


EPR系列 EPR Series



产品特性

全范围AC输入
 通电指示灯
 过载 / 短路保护
 高可靠性: 105°C长寿命电容, 可耐受300Vac
 输入电压5秒
 2年质保

Product features

Universal AC input / full range
 Power on indication
 Protections: Overload / Short circuit
 High reliability: 105°C capacitor, withstand 300Vac
 surge input for 5s
 2 years warranty

技术特性

输入电压 90~264Vac, 127~370Vdc
 输入频率 47~63Hz
 冲击电流 30A@230Vac 满载冷态
 保持时间 $\geq 20\text{ms}$ @230Vac 满载
 过载保护 110%~180% 自动恢复
 运行温度 -20°C ~ 70°C
 安全标准 UL60950-1
 EMC标准 EN55032 Class B, EN55024
 绝缘标准 I/P-O/P: 1.5kVac, 1min
 I/P-FG: 1.5kVac, 1min
 O/P-FG: 0.5kVac, 1min
 重量 0.16kg/pcs

Specifications

Input voltage 90~264Vac, 127~370Vdc
 Input frequency 47~63Hz
 Inrush current 30A@230Vac full load cold start
 Hold up time $\geq 20\text{ms}$ @230Vac full load
 Overload protection 110%~180% auto-recovery
 Operating temperature -20°C ~ 70°C
 Safety standard UL60950-1
 EMC standard EN55032 Class B, EN55024
 Withstand voltage I/P-O/P: 1.5kVac, 1min
 I/P-FG: 1.5kVac, 1min
 O/P-FG: 0.5kVac, 1min
 Weight 0.16kg/pcs

P/N 产品型号	Output 输出	R & N 纹波 & 噪声	Effi. 效率	Load Regulation 负载调整率	DC adjustment range DC可调范围
EPR-15-5	5V, 3A	80mV	76%	$\pm 2\%$	4.75V~5.25V
EPR-15-12	12V, 1.25A	120mV	79%	$\pm 2\%$	10.8V~13.2V
EPR-15-24	24V, 0.63A	120mV	81%	$\pm 2\%$	21.6V~26.4V
EPR-15-48	48V, 0.32A	200mV	83%	$\pm 2\%$	43.2V~52.8V