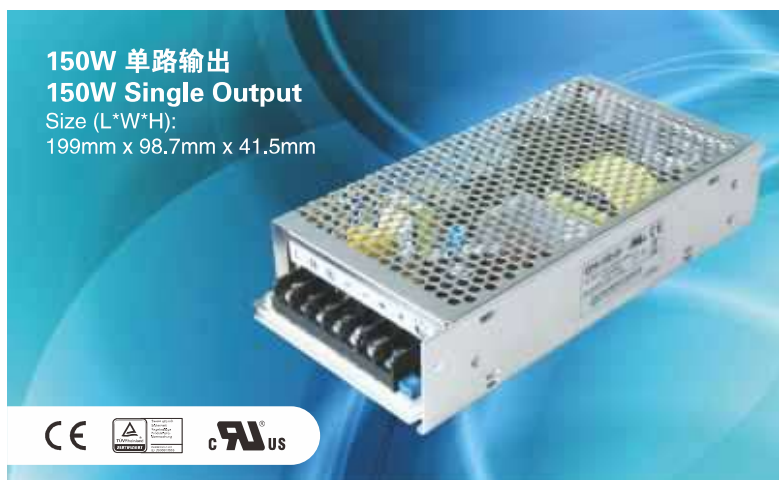
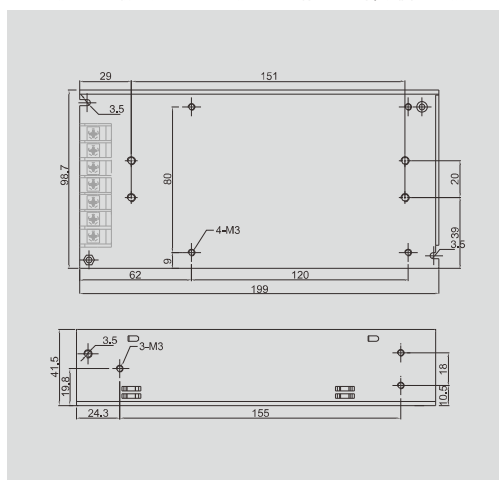


EPR系列 EPR Series



150W 单路输出
150W Single Output
 Size (L*W*H):
 199mm x 98.7mm x 41.5mm



产品特性

- AC输入
- 通电指示灯
- 过载 / 过压 / 短路保护
- 高可靠性: 105°C长寿命电容, 可耐受300Vac输入电压5秒
- 2年质保

Product features

- AC input
- Power on indication
- Protections: Overload / Over voltage / Short circuit
- High reliability: 105°C capacitor, withstand 300Vac surge input for 5s
- 2 years warranty

技术特性

- 输入电压: 90~132Vac, 180~264Vac, 250~370Vdc, 手动开关转换
- 输入频率: 47~63Hz
- 冲击电流: 35A@230Vac 满载冷态
- 保持时间: ≥20ms@230Vac 满载
- 过载保护: 110%~150% 自动恢复
- 过压保护: 110%~145% Vo
- 运行温度: -20°C~70°C
- 安全标准: UL60950-1, TUV EN60950-1
- EMC标准: EN55032 Class B, EN55024
- 绝缘标准: I/P-O/P: 1.5kVac, 1min; I/P-FG: 1.5kVac, 1min; O/P-FG: 0.5kVac, 1min
- 重量: 0.61kg/pcs

Specifications

- Input voltage: 90~132Vac, 180~264Vac, 250~370Vdc, selectable by switch
- Input frequency: 47~63Hz
- Inrush current: 35A@230Vac full load cold start
- Hold up time: ≥20ms@230Vac full load
- Overload protection: 110%~150% auto-recovery
- Over voltage protection: 110%~145% Vo
- Operating temperature: -20°C~70°C
- Safety standard: UL60950-1, TUV EN60950-1
- EMC standard: EN55032 Class B, EN55024
- Withstand voltage: I/P-O/P: 1.5kVac, 1min; I/P-FG: 1.5kVac, 1min; O/P-FG: 0.5kVac, 1min
- Weight: 0.61kg/pcs

| P/N 产品型号 | Output 输出 | R & N 纹波 & 噪声 | Effi. 效率 | Load Regulation 负载调整率 | DC adjustment range DC可调范围 |
|-------------|--------------|------------------|-------------|--------------------------|-------------------------------|
| EPR-150-5 | 5V, 22A | 80mV | 77% | ± 2% | 4.75V~5.25V |
| EPR-150-12 | 12V, 12.5A | 120mV | 83% | ± 2% | 10.8V~13.2V |
| EPR-150-15 | 15V, 10A | 120mV | 83% | ± 2% | 13.5V~16.5V |
| EPR-150-24 | 24V, 6.5A | 120mV | 86% | ± 2% | 21.6V~26.4V |
| EPR-150-36 | 36V, 4.1A | 200mV | 86% | ± 2% | 32.4V~39.6V |
| EPR-150-48 | 48V, 3.3A | 200mV | 87% | ± 2% | 43.2V~52.8V |

另有高可靠型EPR-H系列电源可选, 具备以下特点: 耐受380Vac高压输入2H不坏; 增加三防涂层及端子盖等处理; 低待机功耗。
 Another EPR-H series selectable, with high reliability, low stand-by power consumption, conformal coated, connector covered, and withstands 380Vac input running for 2 hours.

平板开关电源 MOUNTED POWER SUPPLY