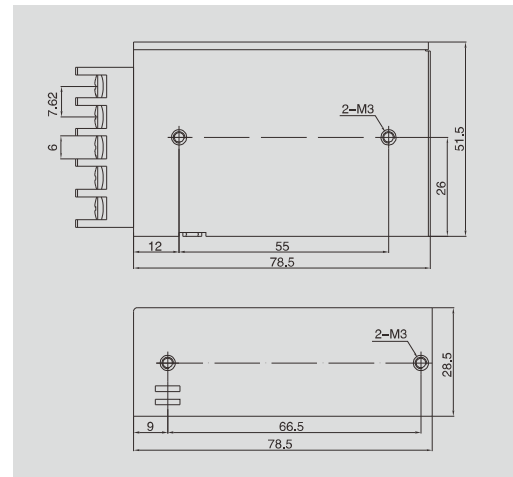


EPR系列 EPR Series



产品特性

- 全范围AC输入
- 通电指示灯
- 过载 / 短路保护
- 高可靠性: 105°C长寿命电容, 可耐受300Vac输入电压5秒
- 2年质保

Product features

- Universal AC input / full range
- Power on indication
- Protections: Overload / Short circuit
- High reliability: 105°C capacitor, withstand 300Vac surge input for 5s
- 2 years warranty

技术特性

输入电压	90~264Vac, 127~370Vdc
输入频率	47~63Hz
冲击电流	30A@230Vac 满载冷态
保持时间	≥20ms@230Vac 满载
过载保护	110%~180% 自动恢复
运行温度	-20°C~70°C
安全标准	UL60950-1
EMC标准	EN55032 Class B, EN55024
绝缘标准	I/P-O/P: 1.5kVac, 1min I/P-FG: 1.5kVac, 1min O/P-FG: 0.5kVac, 1min
重量	0.17kg/pcs

Specifications

Input voltage	90~264Vac, 127~370Vdc
Input frequency	47~63Hz
Inrush current	30A@230Vac full load cold start
Hold up time	≥20ms@230Vac full load
Overload protection	110%~180% auto-recovery
Operating temperature	-20°C~70°C
Safety standard	UL60950-1
EMC standard	EN55032 Class B, EN55024
Withstand voltage	I/P-O/P: 1.5kVac, 1min I/P-FG: 1.5kVac, 1min O/P-FG: 0.5kVac, 1min
Weight	0.17kg/pcs

P/N 产品型号	Output 输出	R & N 纹波 & 噪声	Effi. 效率	Load Regulation 负载调整率	DC adjustment range DC可调范围
EPR-25-5	5V, 5A	80mV	76%	± 2%	4.75V~5.25V
EPR-25-12	12V, 2.1A	120mV	79%	± 2%	10.8V~13.2V
EPR-25-24	24V, 1.1A	120mV	81%	± 2%	21.6V~26.4V
EPR-25-48	48V, 0.57A	200mV	83%	± 2%	43.2V~52.8V

平板开关电源 MOUNTED POWER SUPPLY