

EPR系列 EPR Series



过压保护



过载保护



短路保护

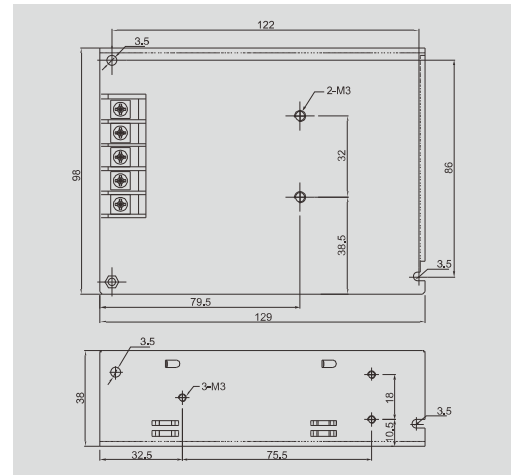


小体积



高可靠性

75W 单路输出
75W Single Output
 Size (L*W*H):
 129mm x 98mm x 38mm



产品特性

全范围AC输入
 通电指示灯
 过载 / 过压 / 短路保护
**高可靠性: 105°C长寿命电容, 可耐受300Vac
 输入电压5秒**
 2年质保

Product features

Universal AC input / full range
 Power on indication
 Protections: Overload / Over voltage / Short circuit
**High reliability: 105°C capacitor, withstand 300Vac
 surge input for 5s**
 2 years warranty

技术特性

输入电压 90~264Vac, 127~370Vdc
 输入频率 47~63Hz
 冲击电流 30A@230Vac 满载冷态
 保持时间 $\geq 20\text{ms}@230\text{Vac}$ 满载
 过载保护 110%~150% 自动恢复
 过压保护 110%~145% V_o
 运行温度 $-20^\circ\text{C}\sim 70^\circ\text{C}$
 安全标准 UL60950-1
 EMC标准 EN55032 Class B, EN55024
 绝缘标准 I/P-O/P: 1.5kVac, 1min
 I/P-FG: 1.5kVac, 1min
 O/P-FG: 0.5kVac, 1min
 重量 0.41kg/pcs

Specifications

Input voltage 90~264Vac, 127~370Vdc
 Input frequency 47~63Hz
 Inrush current 30A@230Vac full load cold start
 Hold up time $\geq 20\text{ms}@230\text{Vac}$ full load
 Overload protection 110%~150% auto-recovery
 Over voltage protection 110%~145% V_o
 Operating temperature $-20^\circ\text{C}\sim 70^\circ\text{C}$
 Safety standard UL60950-1
 EMC standard EN55032 Class B, EN55024
 Withstand voltage I/P-O/P: 1.5kVac, 1min
 I/P-FG: 1.5kVac, 1min
 O/P-FG: 0.5kVac, 1min
 Weight 0.41kg/pcs

P/N 产品型号	Output 输出	R & N 纹波 & 噪声	Effi. 效率	Load Regulation 负载调整率	DC adjustment range DC可调范围
EPR-75-5	5V, 12A	80mV	76%	$\pm 2\%$	4.75V~5.25V
EPR-75-12	12V, 6.2A	120mV	81%	$\pm 2\%$	10.8V~13.2V
EPR-75-15	15V, 5A	120mV	81%	$\pm 2\%$	13.5V~16.5V
EPR-75-24	24V, 3.2A	120mV	84%	$\pm 2\%$	21.6V~26.4V
EPR-75-36	36V, 2.1A	120mV	84%	$\pm 2\%$	32.4V~39.6V
EPR-75-48	48V, 1.6A	200mV	86%	$\pm 2\%$	43.2V~52.8V

另有高可靠型EPR-H系列电源可选, 具备以下特点: 耐受320Vac高压输入2H不坏; 增加三防涂层及端子盖等处理; 低待机功耗。
 Another EPR-H series selectable, with high reliability, low stand-by power consumption, conformal coated, connector covered, and withstands 320Vac input running for 2 hours.