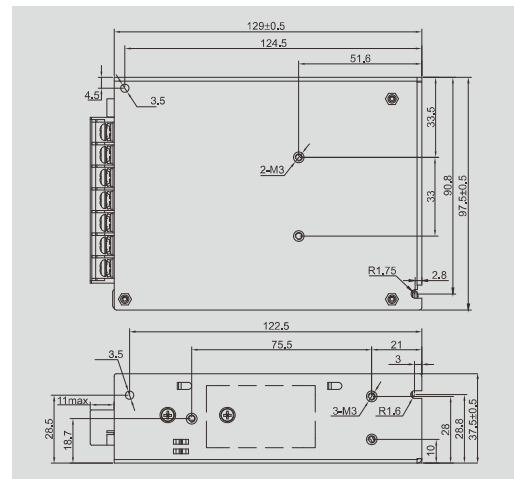
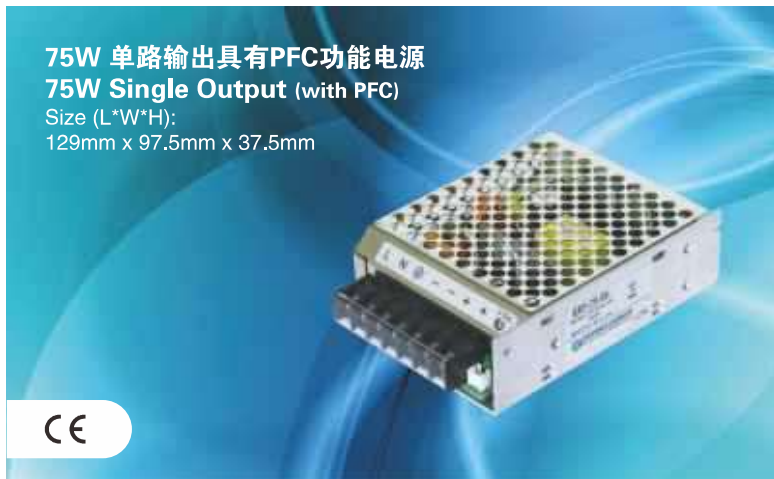


ESF系列 ESF Series



产品特性

- 全范围AC输入
- PF \geq 0.96@115Vac, \geq 0.93@230Vac
- 内置遥控开关机功能
- 待机功耗 \leq 0.5W
- 通电指示灯
- 集成化设计, 小体积
- 过载 / 过压 / 短路 / 过温保护
- 3年质保

Product features

- Universal AC input / full range
- PF \geq 0.96@115Vac, \geq 0.93@230Vac
- Built-in remote ON/OFF control
- Standby power consumption \leq 0.5W
- Power on indication
- Integrated design, small size
- Protections: Overload / Over voltage / Short circuit / Over temperature
- 3 years warranty

技术特性

- 输入电压 90~264Vac, 127~370Vdc
- 输入频率 47~63Hz
- 冲击电流 40A@230Vac
- 20A@110Vac 满载冷态
- 保持时间 \geq 20ms@230Vac 满载
- 过载保护 120%~150%
- 过压保护 115%~145% Vo
- 运行温度 -20 $^{\circ}$ C~70 $^{\circ}$ C
- 安全标准 UL60950-1, EN60950-1
- EMC标准 EN55022 Class B, EN55024
- 绝缘标准 I/P-O/P: 1.5kVac, 1min
- I/P-FG: 1.5kVac, 1min
- O/P-FG: 0.5kVac, 1min
- 重量 0.42kg/pcs

Specifications

- Input voltage 90~264Vac, 127~370Vdc
- Input frequency 47~63Hz
- Inrush current 40A@230Vac
- 20A@110Vac full load cold start
- Hold up time \geq 20ms@230Vac full load
- Overload protection 120%~150%
- Over voltage Protection 115%~145% Vo
- Operating temperature -20 $^{\circ}$ C~70 $^{\circ}$ C
- Safety standard UL60950-1, EN60950-1
- EMC standard EN55022 Class B, EN55024
- Withstand voltage I/P-O/P: 1.5kVac, 1min
- I/P-FG: 1.5kVac, 1min
- O/P-FG: 0.5kVac, 1min
- Weight 0.42kg/pcs

P/N 产品型号	Output 输出	R & N 纹波 & 噪声	Effi. 效率	Load Regulation 负载调整率
ESF-75-5	5V, 15A	100mV	80%	\pm 2%
ESF-75-12	12V, 6.3A	120mV	86%	\pm 1%
ESF-75-24	24V, 3.2A	150mV	88%	\pm 1%
ESF-75-48	48V, 1.5A	200mV	89%	\pm 1%

平板开关电源 MOUNTED POWER SUPPLY