

充电系列 Charging Series



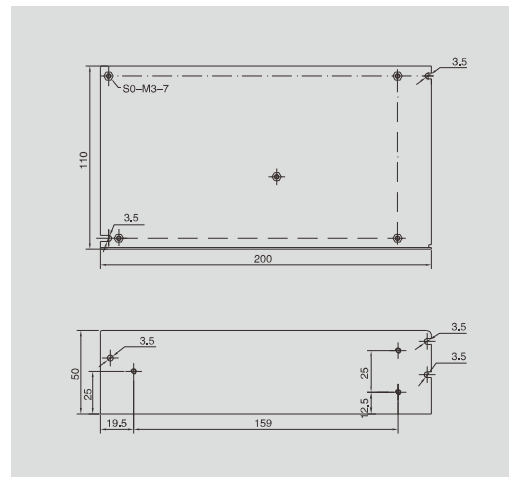
过载保护



短路保护



电池反充保护



产品特性

- 230Vac输入
- 通电指示灯
- 金属外壳
- 过载 / 短路保护
- 电池反充保护
- 1年质保

Product features

- 230Vac input only
- Power on indication
- Metal case
- Protections: Overload / Short circuit
- Battery reverse charge protection
- 1 year warranty

技术特性

- 输入电压 195~253Vac
- 输入频率 50~60Hz
- 冲击电流 40A@230Vac 满载冷态
- 保持时间 $\geq 20\text{ms}@230\text{Vac}$ 满载
- 过载保护 150% 额定输出功率
- 运行温度 $-20^{\circ}\text{C}\sim 40^{\circ}\text{C}$
- 安全标准 EN60950, GB4943-2001
- EMC标准 EN55022 Class B, EN55024
- 绝缘标准 I/P-O/P: 3kVac, 1min
I/P-FG: 1.5kVac, 1min
O/P-FG: 0.5kVac, 1min
- 重量 0.70kg/pcs

Specifications

- Input voltage 195~253Vac
- Input frequency 50~60Hz
- Inrush current 40A@220Vac full load cold start
- Hold up time $\geq 20\text{ms}@230\text{Vac}$ full load
- Overload protection 150% of the rated output power
- Operating temperature $-20^{\circ}\text{C}\sim 40^{\circ}\text{C}$
- Safety standard EN60950, GB4943-2001
- EMC standard EN55022 Class B, EN55024
- Withstand voltage I/P-O/P: 3kVac, 1min
I/P-FG: 1.5kVac, 1min
O/P-FG: 0.5kVac, 1min
- Weight 0.70kg/pcs

P/N 产品型号	Output 输出	R & N 纹波 & 噪声	Effi. 效率	Load Regulation 负载调整率
ESP-140-13.8	13.8V, 10A	120mV	80%	$\pm 1\%$
ESP-140-27.6	27.6V, 5A	240mV	80%	$\pm 1\%$

华耀电源均经100%在线老化测试，一般老化时间为4小时，确保产品使用可靠性。
ECU's power supplies have high reliability because all of them must pass through 100% burn-in test, which lasts for four hours.