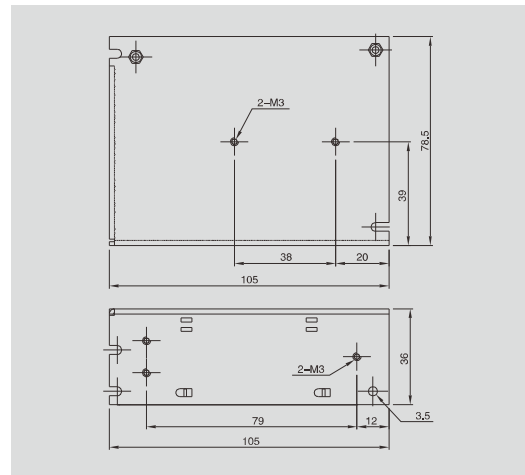


充电系列 Charging Series



产品特性

- 全范围AC输入
- 通电指示灯
- 自然风冷
- 电池过放电保护
- 过载 / 短路保护
- 金属外壳、小体积
- 1年质保

Product features

- Universal AC input / full range
- Power on indication
- Air cooling
- Protection for battery over discharge
- Protections: Overload / Short circuit
- Metal case, Compact
- 1 year warranty

技术特性

- 输入电压 90~264Vac
- 输入频率 47~63Hz
- 冲击电流 40A@230Vac 满载冷态
- 保持时间 $\geq 20\text{ms}@230\text{Vac}$
- 过载保护 105%~180% 自动恢复
- 运行温度 $-20^{\circ}\text{C} \sim 40^{\circ}\text{C}$
- 安全标准 GB4943-2001, EN60950-1
- EMC标准 EN55022 Class B, EN55024
- 绝缘标准 I/P-O/P: 1.5kVac, 1min
I/P-FG: 1.5kVac, 1min
O/P-FG: 0.5kVac, 1min
- 重量 0.30kg/pcs

Specifications

- Input voltage 90~264Vac
- Input frequency 47~63Hz
- Inrush current 40A@220Vac full load cold start
- Hold up time $\geq 20\text{ms}@230\text{Vac}$
- Overload protection 105%~180% auto-recovery
- Operating temperature $-20^{\circ}\text{C} \sim 40^{\circ}\text{C}$
- Safety standard GB4943-2001, EN60950-1
- EMC standard EN55022 Class B, EN55024
- Withstand voltage I/P-O/P: 1.5kVac, 1min
I/P-FG: 1.5kVac, 1min
O/P-FG: 0.5kVac, 1min
- Weight 0.30kg/pcs

P/N 产品型号	Output 输出	R & N 纹波 & 噪声	Effi. 效率	Load Regulation 负载调整率
ESP-20-13.8A	13.8V, 1.5A	150mV	87.5%	$\pm 1\%$

华耀自2006年7月生产线全部切换为无铅，电源产品100%符合ROHS指令要求，不含有指令内限禁的有害元素，您可放心选用。
From July, 2006 ECU upgraded its producing lines to be lead-free. You can use any of them with assurance that our power supplies are 100% ROHS compliant.