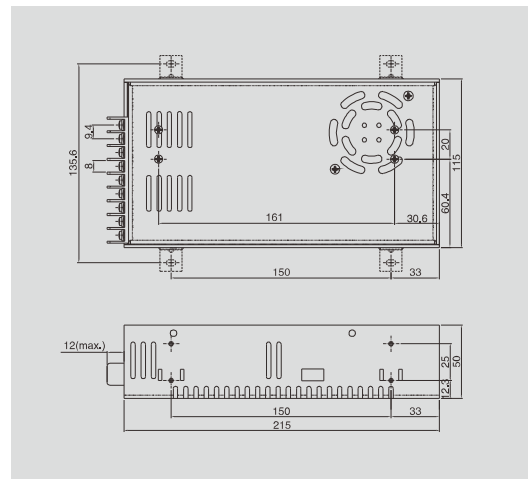


ESP-B系列 ESP-B Series



产品特性

AC输入
过压 / 过流 / 过温保护
内置风扇冷却
适用于LED显示、工业控制
2年质保

Product features

AC input
Protections: Over voltage / Over-current / Over temperature
Forced air cooling by built-in fan
LED indicator for power on
2 years warranty

技术特性

输入电压 90~132Vac, 180~264Vac,
手动开关转换
输入频率 47~63Hz
冲击电流 <50A 满载冷态
保持时间 ≥20ms@230Vac 满载
过载保护 120%~150%
限流保护, 自动恢复
过压保护 120%~150% Vo
运行温度 -20°C~70°C
安全标准 EN60950-1
EMC标准 EN61000-6-2
EN61000-4-2,3,4,5,6,8,11
EN55022 Class B
绝缘标准 I/P-O/P: 1.5kVac, 1min
I/P-FG: 1.5kVac, 1min
O/P-FG: 0.5kVac, 1min
重量 0.9kg/pcs

Specifications

Input voltage 90~132Vac, 180~264Vac,
selectable by switch
Input frequency 47~63Hz
Inrush current <50A full load cold start
Hold up time ≥20ms@230Vac full load
Overload protection 120%~150%
constant current limit, auto-recovery
Over voltage protection 120%~150% Vo
Operating temperature -20°C~70°C
Safety standard EN60950-1
EMC standard EN61000-6-2
EN61000-4-2,3,4,5,6,8,11
EN55022 Class B
Withstand voltage I/P-O/P: 1.5kVac, 1min
I/P-FG: 1.5kVac, 1min
O/P-FG: 0.5kVac, 1min
Weight 0.9kg/pcs

P/N 产品型号	Output 输出	R & N 纹波 & 噪声	Effi. 效率	Load Regulation 负载调整率	DC adjustment range DC可调范围
ESP-250B-24	24V, 10.5A	100mV	83%	± 2%	21.6V~26.4V
ESP-250B-36	36V, 6.9A	300mV	84%	± 2%	32.4V~39.6V
ESP-250B-48	48V, 5.2A	300mV	85%	± 2%	43.2V~52.8V

平板开关电源 MOUNTED POWER SUPPLY