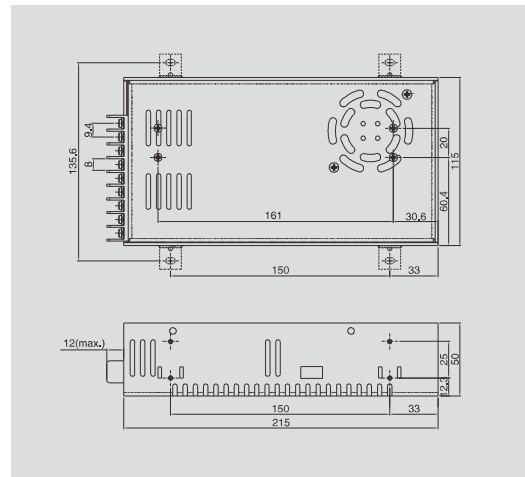


ESP-C系列 ESP-C Series



产品特性

AC输入
 短路 / 过载 / 过压 / 过温保护
 采用内置恒流限制电路
 防浪涌设计, 浪涌电流 $\leq 40A$
 内置风扇冷却
 2年质保

Product features

AC input
 Protections: Short circuit / Overload / Over voltage / Over temperature
 Build-in constant current limit circuit
 Inrush current immunity, less than 40A
 Forced air cooling by built-in fan
 2 years warranty

技术特性

输入电压 90~132Vac, 180~264Vac, 250~370Vdc, 手动开关转换
 输入频率 47~63Hz
 冲击电流 40A@230Vac, 满载冷态
 保持时间 >20ms@230Vac 满载
 过载保护 105%~150%
 限流保护, 自动恢复
 过压保护 115%~150% Vo
 运行温度 -20°C~60°C
 安全标准 EN60950-1, GB4943-2001
 绝缘标准 I/P-O/P: 1.5kVac, 1min
 I/P-FG: 1.5kVac, 1min
 O/P-FG: 0.5kVac, 1min
 重量 1.1kg/pcs

Specifications

Input voltage 90~132Vac, 180~264Vac, 250~370Vdc, selectable by switch
 Input frequency 47~63Hz
 Inrush current 40A@230Vac, full load cold start
 Hold up time >20ms@230Vac full load
 Overload protection 105%~150%
 constant current limit, auto-recovery
 Over voltage protection 115%~150% Vo
 Operating temperature -20°C~60°C
 Safety standard EN60950-1, GB4943-2001
 Withstand voltage I/P-O/P: 1.5kVac, 1min
 I/P-FG: 1.5kVac, 1min
 O/P-FG: 0.5kVac, 1min
 Weight 1.1kg/pcs

| P/N 产品型号 | Output 输出 | R & N 纹波 & 噪声 | Effi. 效率 | Load Regulation 负载调整率 | DC adjustment range DC可调范围 |
|--------------|--------------|------------------|-------------|--------------------------|-------------------------------|
| ESP-250C-5 | 5V, 50A | 120mV | 78% | $\pm 2\%$ | 4.5V~5.5V |
| ESP-250C-7.5 | 7.5V, 33.3A | 120mV | 80% | $\pm 2\%$ | 6.75V~8.25V |
| ESP-250C-12 | 12V, 20.8A | 120mV | 83% | $\pm 2\%$ | 10.8V~13.2V |
| ESP-250C-15 | 15V, 16.7A | 120mV | 84% | $\pm 2\%$ | 13.5V~16.5V |
| ESP-250C-24 | 24V, 10.5A | 120mV | 87% | $\pm 2\%$ | 21.6V~26.4V |
| ESP-250C-36 | 36V, 6.9A | 120mV | 87.5% | $\pm 2\%$ | 32.4V~39.6V |
| ESP-250C-48 | 48V, 5.2A | 200mV | 88% | $\pm 2\%$ | 43.2V~52.8V |

另有高可靠型ESP-H系列电源可选, 具备以下特点: 耐受380Vac高压输入2H不坏; 增加三防涂层及端子盖等处理; 低待机功耗。
 Another ESP-H series selectable, with high reliability, low stand-by power consumption, conformal coated, connector covered, and withstands 380Vac input running for 2 hours.